

D.C. RELEASE	DESCRIPTION	DATE	BY	SCALE: 3/8" = 1'-0"	USED ON:	FLEETWOOD	PAGE NO. 721-19-90980
				DRAWN PROJECTION 1. DATE: 03-24-98			
99-00		03/26/98	DM	99721300		TITLE: REAR VISION CAMERA CABLE ROUTING	
				PLOT: 03/26/98 12:49:09 01milled	AUX INFO		

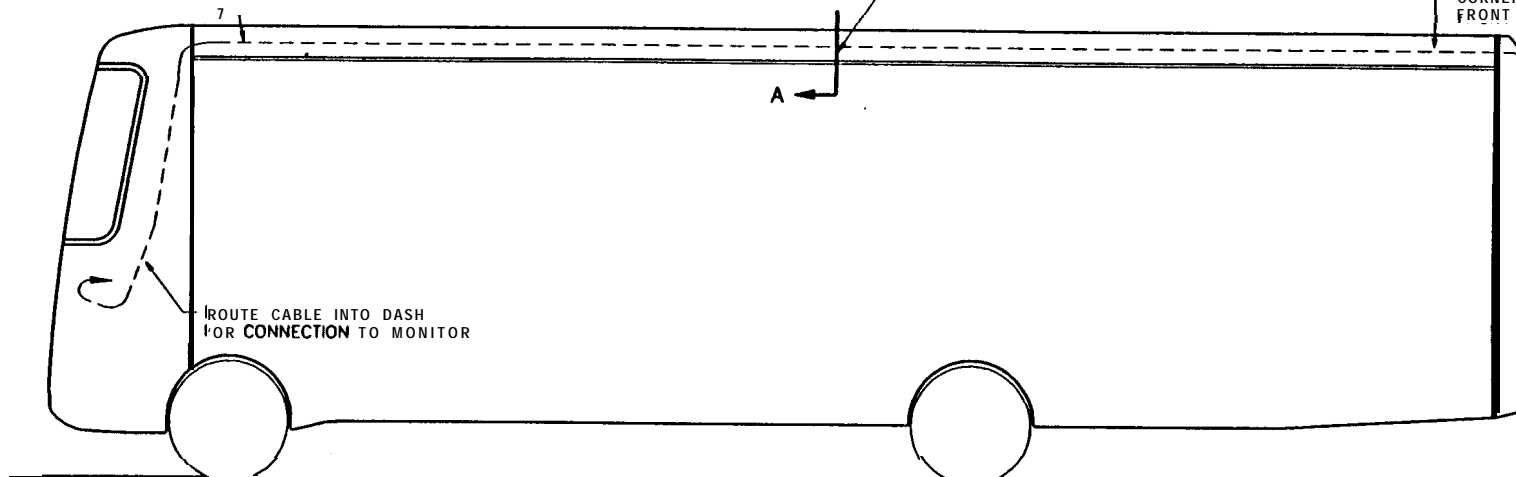
ROUTE CABLE INTO DASH AND DIRECT TO A LOCATION BEHIND VIDEO MONITOR.

ROUTE CABLE FROM CAMERA THRU REAR CAP (AS PICTURED) AND DIRECTLY TO ROADSIDE RAD CORNER MOLDING. ROUTE TO FRONT CAP.

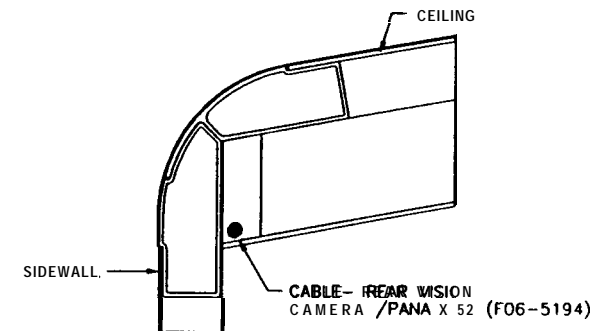
REAR VIEW CAMERA LOCATION (ATTACH W/ SCREW- MACH #8-32 X 3/8 PFH PLTD M42-0010) (4 PLCS).

ROUTE CABLE INTO DASH FOR CONNECTION TO MONITOR

SEE SECTION A FOR CABLE ROUTING



WIRE ROUTING DETAIL



SECTION A
SCALE: 4" = 1'-0"